

ogden
enterprises, inc.

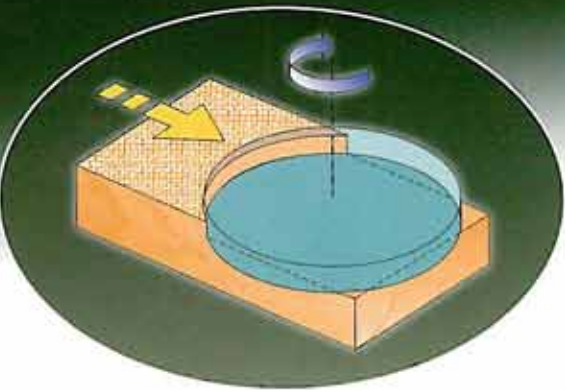
presents

ROTOPLANE

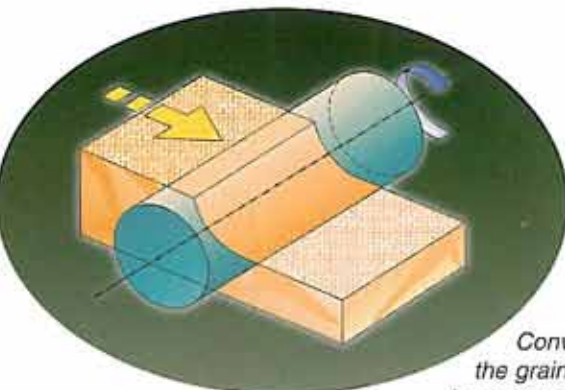
Rotoplane® Rotary Planing Systems

The precision alternative to conventional planing

Rotary planing simply makes good sense.



Rotary planing makes a clean shearing cut that leaves a smooth, porous surface perfect for gluing. No kickback. No surface tearout. No sniping. Processes pieces as short as 2".



Conventional planing tears out against the grain and can't handle short pieces. It is prone to sniping and leaves a semipolished surface that is less conducive to glue absorption.

Rotoplane[®] rotary planing machines are the modern way to calibrate and prepare wood products for gluing or finishing. These versatile machines offer you improved quality, productivity, and significant cost savings compared to conventional planing.

Rotoplane machines feature a unique, patented planing head, which moves in horizontal rotation rather than vertical rotation as with conventional planer heads. This is an important difference that offers many advantages.

With rotary planing, grain direction in the workpiece is no longer a concern. Neither are resinous, knotty, or wild-grained woods. You can now process cabinet doors, glued panels, and completed frame assemblies without fear of surface tearout.

In addition, the shearing action of the planing head leaves a smooth, porous surface that is perfect for gluing. It is neither too slick, as with planing, nor torn, as with sanding. The result is tighter, stronger glue joints.

The unique rotary head employs durable multisided carbide blades which are turned as they wear, to expose a new cutting edge and provide extended production between blade changes.

Rotary planing is fast, efficient, and economical. Let us demonstrate for you the unique advantages of a Rotoplane rotary planing machine and help you specify the right machine for your operation.

If you hate downtime, you'll love Rotoplane. The unique rotary planing head uses long-lasting, multisided carbide blades. Each side can last up to 3 weeks, for a total of 12 weeks operation between changes. It takes as little as 20 minutes to rotate a set of blades. (*Based on one 8-hour shift per day, processing wood.)*



All Rotoplane machines have power raise and lower with digital readout for accurate adjustment in millimeters or inches.



When finish sanding is required, an optional sanding module is installed behind the planing head to get the job done in a single pass. Models are also available to process both bottom and top surfaces of a board or panel in one pass.

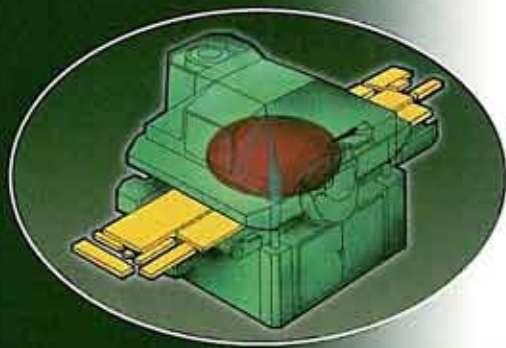
24" Top Head Rotoplane machine. Models are available from 16" to 53" cutting width. All are heavy-duty machines designed for high productivity and continuous operation.



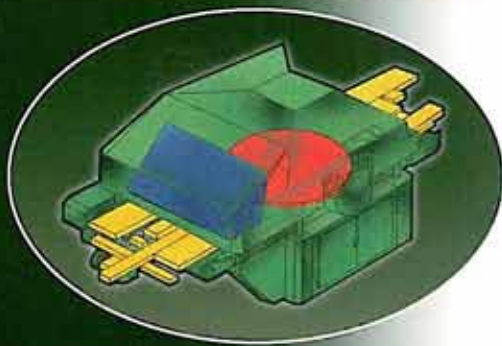
Consider the advantages of

rotoplane®

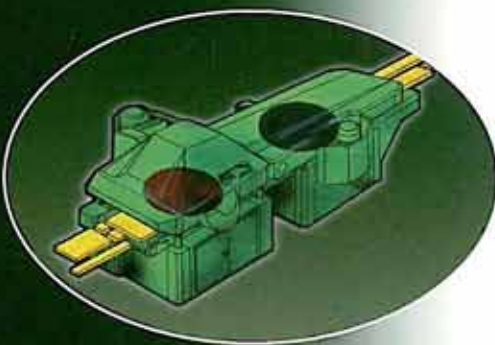
rotary planing systems



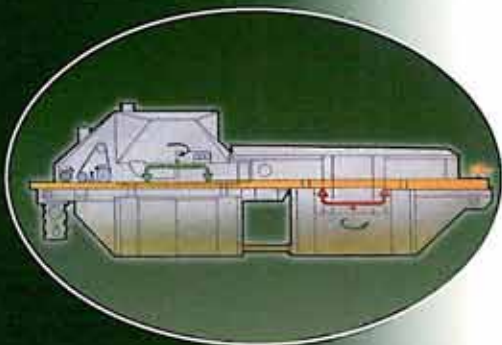
MODEL T • Top planer



MODEL TS • Top planer with Sanding unit



MODEL BT • planes Bottom and Top in single pass



MODEL BTS • Bottom and Top planer with Sanding unit

Versatility

- Glued panels
- Resinous and knotty woods
- Plastics
- Pieces as short as 2"
- Frame assemblies
- Models from 16" to 53" working width

Safety

- No kickback

Efficiency

- High output
- Lower energy costs

Economy

- Lower energy cost
- Lower tooling cost
- Long blade life
- Less waste

Productivity

- Designed for high output, continuous operation
- Sanding and bottom/top options
- Long service between blade changes
- Less downtime

Precision

- Machining accuracy to .004"

Quality

- Superior surface quality
- Stronger glue joints
- Greater precision
- No sniping

Service

- Fast response
- Large parts inventory
- Factory-trained service personnel

Which Rotoplane is right for you?

Ogden Enterprises will help you decide which models and options make sense for your particular applications.

For specific technical information, or to arrange a demonstration, please contact us at 704-845-2785.

ogden

enterprises, inc.

Ogden Enterprises, Inc.

1320 Industrial Drive • Matthews, North Carolina 28105
Telephone 704-845-2785 • Fax 704-845-1023